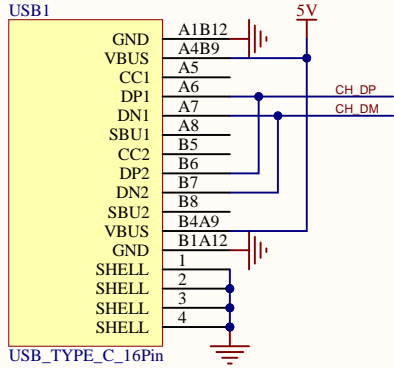
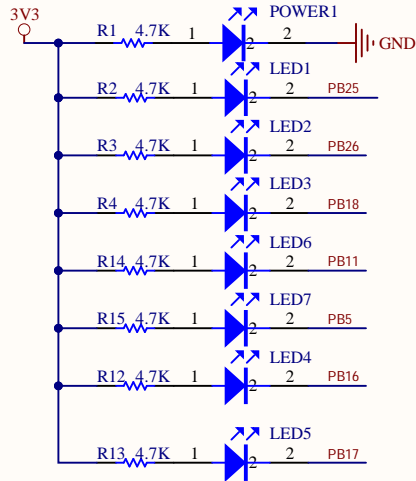


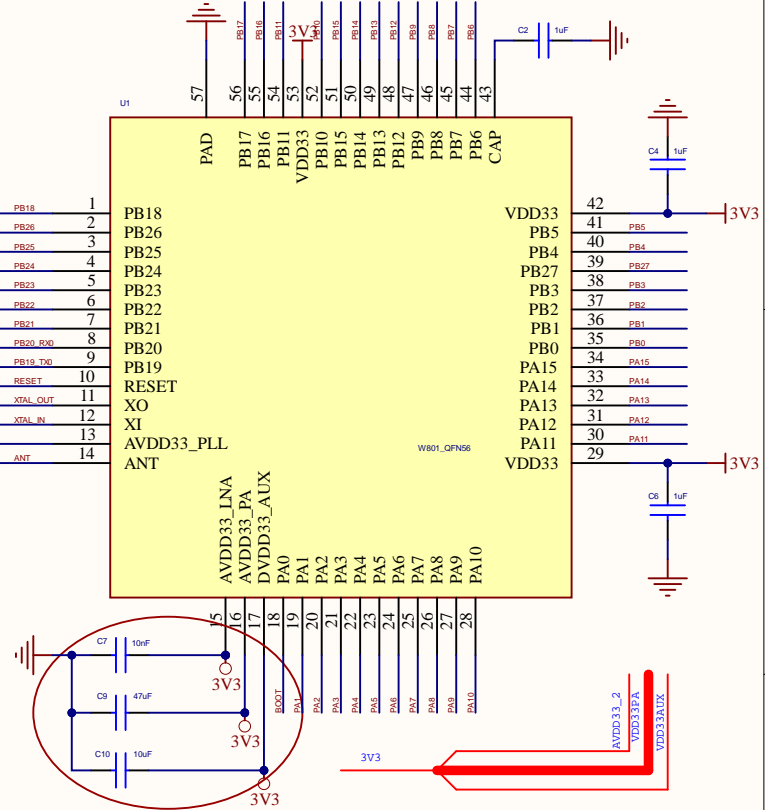
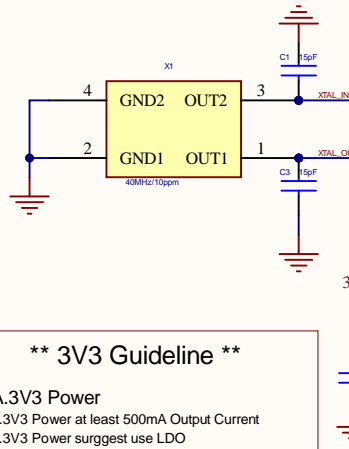
### Type-C



### LED



### IC

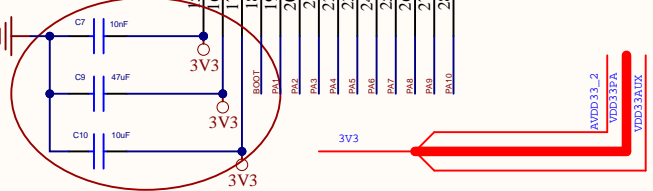


**\*\* 3V3 Guideline \*\***

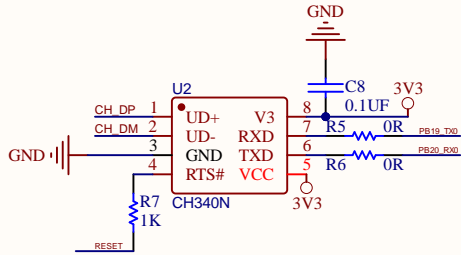
**A.3V3 Power**  
1.3V3 Power at least 500mA Output Current  
2.3V3 Power surggest use LDO

**B.bypass capacitor**  
1.C7 for 10nF  
2.C9 for 47uF  
3.C10 for 10uF

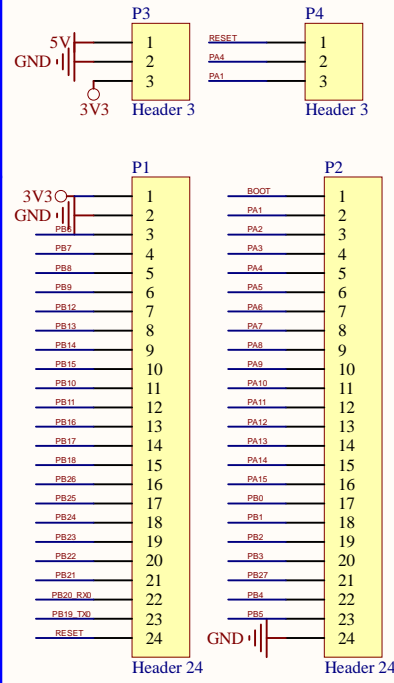
**C.3V3 Power routing**  
1.3V3 Power for AVDD33\_2\_VDD33PA\_VDD33AUX should be divided from the 3V3 input Port  
2.VDD33PA trace width 0.5mm is required  
AVDD33\_2\_VDD33AUX trace width 0.2mm



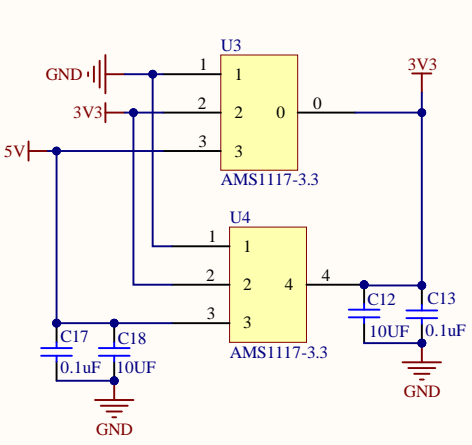
### USB-TTL



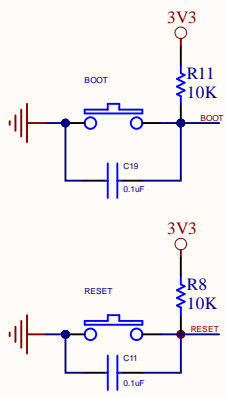
### 排针



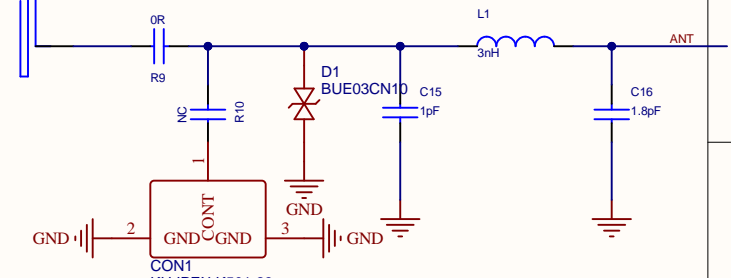
### 5V-3.3V LDO(兼容封装)



### 按键



### 射频



Title		
Size	Number	Revision
A4		
Date:	11/27/2021	Sheet of
File:	D:\HLK\...\HLK-W801-KIT-原理图.SchDoc	Drawn By: